



- Inputs : J, K, Pt100
- 0 / 1 setpoint
- 85~265 V AC SMPS
- Control : ONOFF and Time Proportional
- Accuracy : $\pm 0.1\%$ of full scale $\pm 1\text{ }^\circ\text{C}$, typical
- Sensor break indication

SPECIFICATIONS

Input

Input types	J, K
Thermocouple	Pt100
RTD	See Table 1
Range limits	See Table 1
Accuracy	See Table 1
Cold junction compensation	Automatic
Temperature coefficient of accuracy	$\pm 0.5\%$ of span / $25\text{ }^\circ\text{C}$
Units	$^\circ\text{C}$ (For $^\circ\text{F}$, contact us)

Outputs

No. of relays	0/1 electromagnetic relay
Relay contact type	NO-C-NC
Relay contact rating	5A / 230V AC, resistive
SSR drive	12 V DC drive signal for external SSR
Mutual isolation between input/output/supply	1 KV AC / 1 minute

Indication

Display	4 digit, 7 segment 0.56" (14.2 mm) red LED display
Status indication	LED for relay status

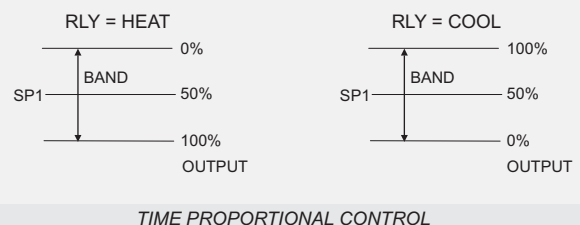
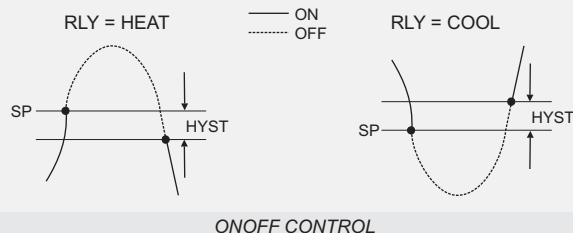
Programmable Parameters

Input	Full range (See Table 1)
Setpoint	0.1 to 99.9
Hysteresis / band	0.1, 1
Resolution	-99.9 to 99.9
Bias	Full range (See Table 1)
High scale	Full range (See Table 1)
Low scale	ONOFF, Time Proportional Control (TPC)
Control functions	1 ~ 99 seconds
Cycle time for TPC	a. Heat b. Cool
Relay logic	-99.9 to 99.9
Proportional offset	

Other

Keyboard	Tactile, 3 keys
Enclosure construction	Plug-in (circuit removable without affecting terminal wiring)
Dimensions (in mm)	96(H) x 96(W) x 100(D)
Mounting	Panel mount
Panel cutout	92 x 92 mm
Supply voltage	85~265 V AC, 50 Hz
Power consumption	3 watts maximum
Operating ambient temperature	0 ~ $50\text{ }^\circ\text{C}$
Relative humidity	Below 90%, non condensing

RELAY LOGIC



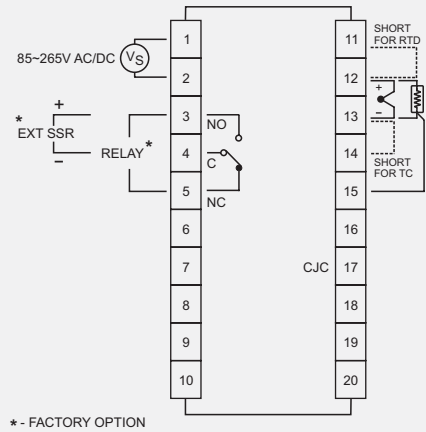
LOW COST, 1-ROW DISPLAY

TABLE 1

SENSOR / INPUT	RANGE LIMITS (°C / EU)		RANGE IN WHICH ACCURACY IS SPECIFIED		TYPICAL ACCURACY AT 30 °C (°C / EU)	WORST CASE ACCURACY AT 30 °C (°C / EU)
	LOW SCALE	HIGH SCALE	LOW SCALE	HIGH SCALE		
Iron / Constantan (J)	-99	760	0	760	± 1	± 3
Chromel / Alumel (K)	-99	1372	-50	1200	± 1	± 3
Pt100, 3-wire	-99	850	-50	850	± 0.5 *	± 2.0

* ± 0.1°C in the range -50 to +400 °C

CONNECTION DIAGRAM



www.beeinstruments.com

BEE INSTRUMENTS
(Madhu Group)

1st Floor, Krishna Bldg., Shamrao Vithal Lane,
off. Lamington Rd., Mumbai - 400007, India
Mobile : + 91 98217 27104
Tel : +91 22 23800783 / 23864484 / 23876707
Fax : +91 22 2387 6729
email : sales@beeinstruments.com
website : www.beeinstruments.com