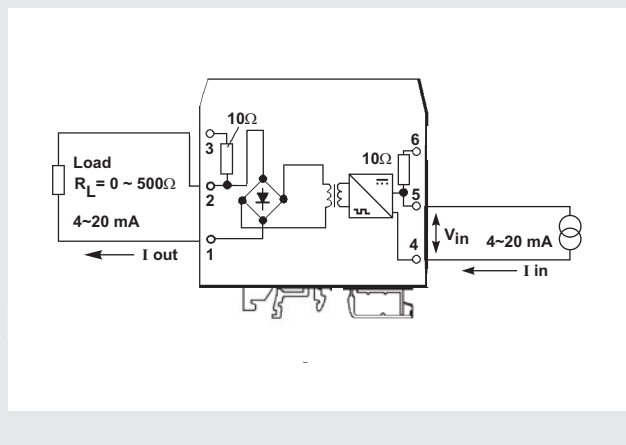




- 4 ~ 20 mA in, 4 ~ 20 mA out
- Isolation between input and output :
1.5 KV AC RMS / 1 minute,
250 V AC RMS continuous
- 0.1% transfer accuracy
- 5 V loop drop
- 0 ~ 500 Ω load without trimming
- DIN rail mounting
- No power supply required



GENERAL

LP2S1 is a loop powered isolator suitable for a variety of applications. It can be used, for example, to isolate the 4~20 mA current signal from a 2-wire thermocouple transmitter or temperature controller, and pass it on to a PLC or datalogger. LP2S1 eliminates earth and ground loop problems and simplifies interfacing. LP2S1 does not require load trimming. Its accuracy is specified for any load between 0 & 500 ohms.

SPECIFICATIONS All specifications at ambient of 25 °C, unless specified otherwise

<p>INPUT</p> <p>Input current 4 ~ 20 mA DC</p> <p>Voltage drop across input terminals < 5V DC with zero ohms load on output</p> <p>Reverse polarity protection Provided for current inputs</p> <p>Maximum input current 50 mA</p> <p>OUTPUT</p> <p>Nominal current transfer ratio 1:1 in the range of 4~20 mA</p> <p>Permissible load resistance 0 ~ 500 ohms without load trim</p> <p>ACCURACY</p> <p>Linearity & calibration < 0.1% of span (I out = I in ± 16 μA)</p> <p>Temperature coefficient of accuracy 0.01% of span per °C</p> <p>ISOLATION</p> <p>Input/Output isolation a) 1.5 KV AC RMS, 1 minute b) 250 V AC RMS, continuous</p>	<p>CALIBRATION</p> <p>Zero, Span 20-turn potentiometers on front face</p> <p>ENCLOSURE</p> <p>Material ABS plastic</p> <p>Dimensions 80(H) x 25(W) x 85(D) mm</p> <p>Mounting Snap on for 35 mm DIN rail to DIN 46277</p> <p>Connection, single / stranded wires ≤ 2.5 mm², AWG 14</p> <p>Weight < 200 grams</p> <p>Protection IP 20</p> <p>TEMPERATURE, HUMIDITY</p> <p>Ambient, storage -20 to +85 °C</p> <p>Ambient, operation -20 to +70 °C</p> <p>Relative humidity 0 ~ 95%</p>
---------------------------------------------------------------------------------------------------------------------------------------------------------------------------------------------------------------------------------------------------------------------------------------------------------------------------------------------------------------------------------------------------------------------------------------------------------------------------------------------------------------------------------------------------------------------------------------------------------------------------------------------------------------------------------------------------------------------------------------------------------	-----------------------------------------------------------------------------------------------------------------------------------------------------------------------------------------------------------------------------------------------------------------------------------------------------------------------------------------------------------------------------------------------------------------------------------------------------------------------------------------------------------------------------------------------------------------------------------------------

www.beeinstruments.com

BEE INSTRUMENTS
(Madhu Group)

1st Floor, Krishna Bldg., Shamrao Vithal Lane,
off. Lamington Rd., Mumbai - 400007, India
Mobile : + 91 98217 27104
Tel : +91 22 23800783 / 23864484 / 23876707
Fax : +91 22 2387 6729
email : sales@beeinstruments.com
website : www.beeinstruments.com