



- Input : RH and T signals from sensor
- 0 / 1 / 2 setpoints corresponding to temperature, humidity
- Accuracy : $\pm 3\%$ RH, $\pm 0.3\text{ }^{\circ}\text{C}$
- User programmable
- 85~265 V AC SMPS
- Sensor break indication
- Isolated retransmission output corresponding to either temperature or humidity

SPECIFICATIONS All specifications at ambient of 25 °C, unless specified otherwise

INPUT

Input	Basic RH and T signals from sensor
Compatible sensors	RSHT20 (General purpose / wall mount) RSHT30 (Wall mount) RSHT40 (Duct mount) RSHT20, RSHT30 & RSHT40 must be ordered separately
Distance between sensor & instrument	Upto 50 meters
Range	0~100% RH -20~100 °C (32 ~ 212 °F) Also see sensor range and Fig1
Resolution	0.1 or 1
Accuracy	$\pm 3\%$ RH, $\pm 0.3\text{ }^{\circ}\text{C}$

Outputs

No. of relays	0/1/2 electromagnetic relays
Relay contact type	NO-C-NC
Relay contact rating	5A / 230V AC, resistive
SSR drive	12 V DC drive signal for external SSR
Retransmission output	Current or voltage corresponding to RH or T
Current output	4~20 mA / 0~20 mA isolated from input
Maximum load for current output	600 ohms
Voltage output	0~10 V DC isolated from input
Load for voltage output	>10 Kohms
Mutual isolation between input/output/supply	1 KV AC / 1 minute

Indication

Display	Upper : 4 digit, 7 segment 0.56" (14.2 mm) green LED display Lower : 4 digit, 7 segment 0.56" (14.2 mm) red LED display
Status indication	2 LEDs for relay status

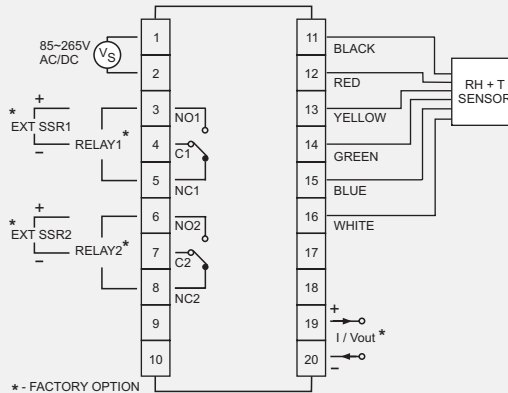
PROGRAMMABLE PARAMETERS

Unit	$^{\circ}\text{C}$, $^{\circ}\text{F}$
Resolution	User selectable 0.1, 1
Relay	0/1/2 corresponding to RH and/or T
Setpoint	0 ~ 100
Hysteresis	0.1 ~ 99.9
Bias for RH & T	-10 to 10
Relay logic	a. Full Scale Hi b. Full Scale Lo
Retransmission output	Corresponding to RH or T
High scale (output)	0 ~ 100
Low scale (output)	0 ~ 100

Other

Keyboard	Tactile, 3 keys
Enclosure construction	Plug-in (circuit removable without affecting terminal wiring)
Dimensions (in mm)	96(W) x 96(H) x 100(D)
Mounting	Panel mount
Panel cutout	92 x 92 mm
Supply voltage	a) 85~265 V AC, 50/60 Hz b) 20~35 V DC (optional)
Power consumption	3 watts maximum
Operating ambient temperature	0 ~ 50 °C
Relative humidity	Below 90%, non condensing

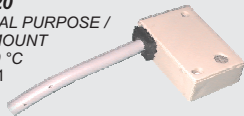
CONNECTION DIAGRAM



RH + T SENSORS (To be ordered separately)

RSHT20

GENERAL PURPOSE /
WALL MOUNT
-20 ~ 60 °C
See Fig1



2049 XX

XX	Cable Length
05	5 meters
10	10 meters
15	15 meters
XX	User specified in meters

RSHT30

WALL MOUNT
-20 ~ 100 °C
See Fig1



2050 XX

XX	Cable Length
05	5 meters
10	10 meters
15	15 meters
XX	User specified in meters

RSHT40

DUCT MOUNT
-20 ~ 100 °C
See Fig1



2169 XX

XX	Cable Length
05	5 meters
10	10 meters
15	15 meters
XX	User specified in meters

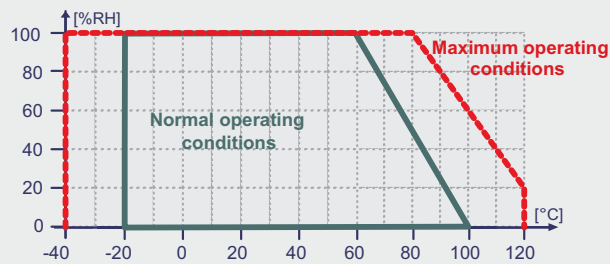


Fig1